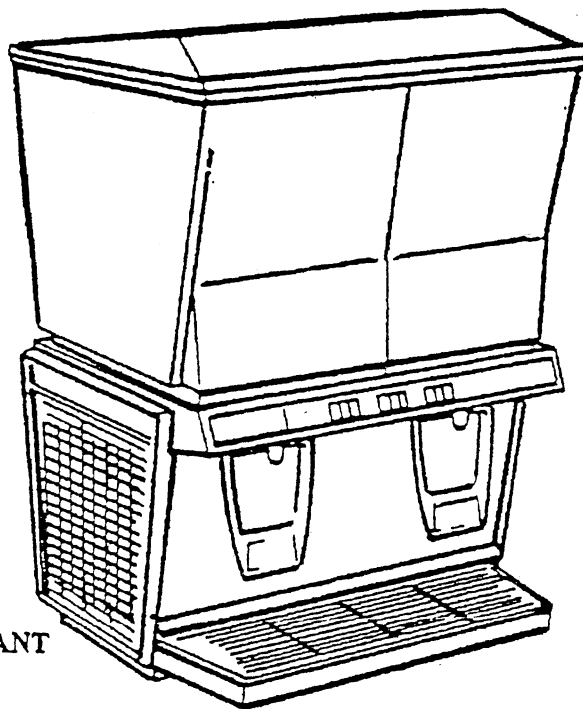


# **JETWAY**

# **TJ3** **OWNER'S MANUAL**

**Unitized Bowl Two Flavor Visual Display Dispenser**



**REFRIGERANT**  
**R-134a**

This manual applies to models of  
Serial Number 305001 or higher.

**MODEL**  
TJ3  
TJ3-W16  
TJ3-W25  
TJ3-W26

**Manufactured by IMI Cornelius/Jet Spray Corporation**  
2401 N. Palmer Drive, Schaumburg, IL 60196

|              |                          |                       |
|--------------|--------------------------|-----------------------|
| <b>Phone</b> | <b>U.S. &amp; Canada</b> | <b>1-888-248-5568</b> |
|              | <b>Outside U.S.</b>      | <b>1-630-539-5050</b> |
| <b>Fax</b>   | <b>U.S. &amp; Canada</b> | <b>1-800-344-3801</b> |
|              | <b>Outside U.S.</b>      | <b>1-630-539-6960</b> |

January 1995  
Printed in the USA

Document No. 18494  
Revision No. 02

*Your Standard of Excellence for Beverage Merchandising on Six Continents*

# TJ3 GENERAL DESCRIPTION

---

The TJ3 dispenser is a countertop visual display action beverage dispenser. It is designed to dispense two flavors of a variety of products including syrup drinks, natural juices, cider, health drinks, wine and mixed bar drinks.

- WARNINGS:**
1. THIS APPLIANCE MUST BE EARTHED.
  2. THIS APPLIANCE IS NOT SUITABLE FOR USE BY UNSUPERVISED CHILDREN.

## GENERAL INSTRUCTIONS

### LOCATION

Place the dispenser on a solid, level, surface with no part of the unit extending beyond the edge of that surface.

### POWER AND WATER

The TJ3 requires a 120 Volt, 60 Hz grounded receptacle for the unit's power cord plug.

The TJ3-W25 requires a 220V/240V, 50 Hz earthed receptacle for the unit's power cord plug.

---

**NOTE:** *If the colors of the wires in the main leads of this appliance do not correspond with the colored markings identifying the terminals in your plug, proceed as follows:*

- The green and yellow wire must be connected to the terminal in the plug marked with any of the following:

- the letter E
- the earth symbol
- colored green
- colored both green and yellow

- The blue wire must be connected to the terminal in the plug marked with the letter N or colored blue.
- The brown wire must be connected to the terminal in the plug marked with the letter L or colored orange.

### POWER CORD

If a power cord is damaged, replace it with the following cords:

| <u>Area</u>   | <u>IS P/N</u> |
|---------------|---------------|
| UK            | A5291         |
| USA           | S1249         |
| INTERNATIONAL | A1632         |

### OPERATING ADJUSTMENTS

**WARNING:** DANGEROUS VOLTAGES ARE STILL PRESENT WITHIN THE UNIT EVEN IF THE POWER SWITCH IS TURNED OFF. BEFORE ATTEMPTING ANY ADJUSTMENTS INSIDE THE UNIT, TURN THE UNIT OFF AND UNPLUG IT FROM THE ELECTRICAL RECEPTACLE.

## NOTES

- \*Attention is drawn to the requirements of National Regulations about connecting to and using Potable water supplies.
- \*Jet Spray dispensers conform to the requirements of the Model Water Bylaws of 1986 SI 1147.
- \*All surfaces which come into contact with food or drinking water are constructed of food quality non-toxic materials, are non-corrosive, non-tainting and do not support the growth of bacteria.

*Jet Spray Corporation reserves the right to make changes in design and/or engineering without notice.*

---

# SPECIFICATIONS

## TJ3 SERIES

### A. ELECTRICAL

| <u>MODEL</u> | <u>P/N</u> | <u>ELECTRICAL SUPPLY</u> | <u>R.L.A.</u> | <u>RUNNING POWER</u> | <u>L.R.A.</u> |
|--------------|------------|--------------------------|---------------|----------------------|---------------|
| TJ3          | A8603      | 120VAC, 60Hz             | 4.3 AMPS      | 516 WATTS            | 22 AMPS       |
| TJ3 TC       | A8613      | 120VAC, 60Hz             | 4.3 AMPS      | 516 WATTS            | 22 AMPS       |
| TJ3-W25      | A8623      | 220VAC, 50Hz             | 2.1 AMPS      | 483 WATTS            | 11 AMPS       |
| TJ3-W26      | A8676      | 220VAC, 60Hz             | 3.3 AMPS      | 726 WATTS            | 14 AMPS       |

R.L.A. - Running load amperage

L.R.A. - Locked Rotor amperage (Compressor Starting Amperage)

### B. CLASS OF WINDINGS

- Compressor Motor - Class H (climatic rating; normal)
- Condenser Fan Motor - Class B

### C. ENVIRONMENT

- Temperature

Operating: 60°F (16°C) to 110°F (43°C)

Storage: Above -20°F (-7°C) with bowl empty and dry.

- Humidity - Below 95%

### D. REFRIGERATION (R134A REFRIGERANT)

| <u>Model</u> | <u>Charge Quantity</u> |
|--------------|------------------------|
| TJ3          | 85 grams (3.0 oz)      |
| TJ3-TC       | 85 grams (3.0 oz)      |
| TJ3-W25      | 85 grams (3.0 oz)      |
| J15-W26      | 73 grams (2.6 oz)      |

## A. SETTING UP YOUR TJJ3

1. Set dispenser chassis in desired location. Dispenser should be level and located on a solid counter.
2. Be sure dispenser has adequate free space on both sides; approximately 3" away from any wall or obstruction.
3. Lock spray tube into the pump cover. Wet pump cover with warm water for ease of insertion or removal of spray tube (see Fig. 1).
4. Push impella support pin through impella and up through center hole of pump housing.
5. Line up the lines on the pump cover and base of bowl. Drop pump cover in so that the three tabs on the bowl base go through cut-outs in pump. Turn pump counterclockwise until tabs of bowl hit tabs of cover.

## B. CLEANING THE DISPENSER

1. Removing the Push Handles
  - a. Push handle back until it stops.
  - b. Grasp clips on handle. Squeeze clips until they are free from panel. Pull straight down on handle.
2. Disassemble the bowl, lid, gasket, and pump housing assemblies.

*Note:* To remove pump housing, push back on top of housing just below spray tube and lift up and out of bowl. Clean in warm water and mild nonabrasive detergent and rinse thoroughly.

**WARNING:** ABRASIVE CLEANERS WILL SCRATCH PLASTIC PARTS.

## C. TO ASSEMBLE

1. Slide the drip tray and drip tray grille into place.
2. Consider installation of a drain hose which connects to outlet on drip tray bottom (Part No. S-3379).

*Press while following numbers until gasket is completely seated.*

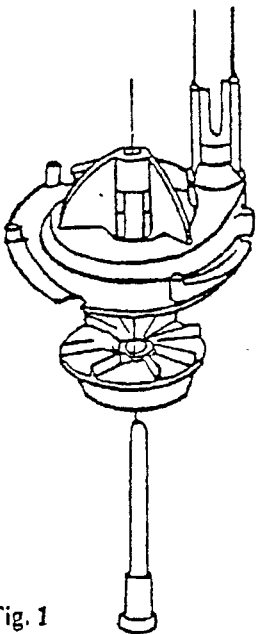
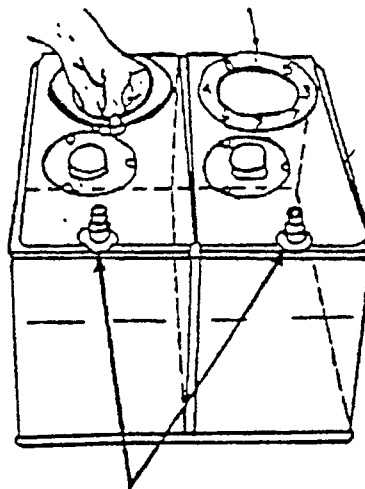


Fig. 1



Condensate Washer

Fig. 2

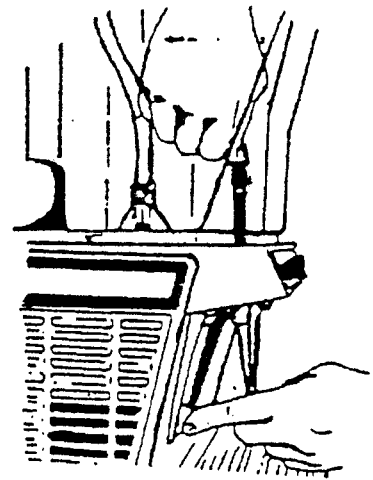


Fig. 3

8. Install pinch tube (see Fig. 3 above).
  - a. Remove tubes from plastic bag and wash with warm water and mild detergent or soap.
  - b. Before installing, wet bowl spout surface and sealing rings on pinch tube.
  - c. With one hand, push back handle until it touches front panel. With other hand pick up pinch tube as shown in sketch and careful insert tube into bowl spout opening and on into lower opening of handle support spout. Make sure end of tube does not get caught on edge above handle support spout opening. Push pinch tube into bowl spout opening with thumb. When end of tube passes beyond bottom of handle support spout opening, pull end of tube for final seating of pinch tube top into bowl spout seat. Make sure tube is free of wrinkles. Tube should extend  $\frac{1}{4}$ " below support spout.
  - d. Install the second tube in similar manner.

## D. OPERATING PROCEDURES

1. Follow beverage manufacturer's directions in filling bowls. To aid in filling, the bowls have gallon and liter markers up the center of the front wall --gallons on left, liters on right.

**WARNING:** WHEN USING ONLY ONE SIDE OF BOWL FOR BEVERAGE, PLEASE PUT ONE GALLON OF WATER IN OPPOSITE SIDE FOR BEST RESULTS.

2. Turn on the refrigeration and spray switches. Product should be cold enough to serve in 2 hours. Switches should be left "ON" 24 hours a day to insure efficient operation.
3. The thermostat is preset at the factory and will not normally require resetting by owner.

## FREQUENT MAINTENANCE PROCEDURES

### CLEANING THE BOWLS

1. Before removing the bowls, turn off both the refrigeration and spray switch.
2. Drain beverage from bowls.

**WARNING:** DRAIN BOWL COMPLETELY BEFORE REMOVING AND ALLOW TIME FOR ANY ICE AROUND EVAPORATOR DOMES TO MELT SO AS NOT TO TEAR GASKETS.

3. Remove pinch tube by pushing handle until it stops. Pull up on pinch tube until it is free. Push handle back until it stops. Grasp clips on handle. Squeeze clips until they are free from panel. Pull straight down on handle.
4. Clean as described in Paragraph B "Cleaning the Dispenser".
5. After cleaning, replace the bowl completely assembled (except for pinch tubes). Replace push handle by pushing handle up through rectangular hold until clips on both sides snap into place. Replace drip tray and cover. Install pinch tubes into bowl.

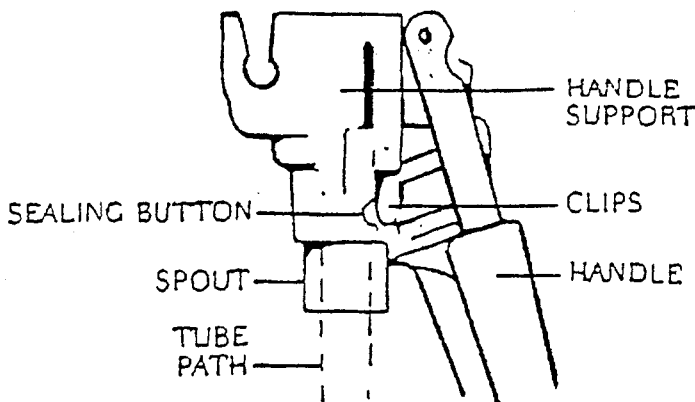


Fig. 4

### CLEANING CONDENSATE DRAINS

1. To remove condensation drains (see sketch), push in on front panel just under drain and pull down with fingers.
2. To replace condensate drains, hold drain against front panel under rectangular hole (opening in side of drain should be toward front panel). Push up through hole until drain snaps into place.

### SANITIZING UNIT

After cleaning, add one gallon of water between 75°F and 100°F to bowl. Mix one tablespoon of approved powdered chlorine sanitizer\* in a pint of water and when dissolved, pour into bowl. Replace lid and run unit two or three minutes. Then shut off unit and drain contents through valve.

\*Diversey Wyandotte Multi-Chlor or equivalent powder or liquid chlorine sanitizer.

**WARNING:** DO NOT RUN REFRIGERATION SWITCH WHEN SANITIZING.

### VENTILATION

AIR FLOW IS ESSENTIAL. ALLOW AT LEAST 3 INCHES OF SPACE ON BACK AND SIDE OF DISPENSER. LINT OR DUST COLLECTING ON THE CONDENSER WILL RESULT IN POOR REFRIGERATION. CHECK FILTER ON A MONTHLY BASIS.

### CLEANING FILTER AND CONDENSER

1. Turn off Refrigeration Switch.
2. Remove left side grille and filter. Clean filter(s) by running a stream of hot water through the inside surface of filter(s), and allow to dry. Filter(s) should be replaced, if necessary - (see Parts List).
3. Clean condenser with vacuum cleaner or brush making sure no loose dirt goes into the dispenser.
4. Clean and replace panels. If filter is ripped, it can be replaced by a new one from your local service center or from Jet Spray Customer Service (refer to your parts list for component part number)

## CORRECTING DISPENSER DIFFICULTIES

### NO SPRAY OR CIRCULATION

- Be sure switch is "on".
- If unit does not spray, remove pump housing and check impella. Impella must spin freely. Sugar and solids can crystallize, causing impella to bind. Frequent washing will eliminate this. When dispenser is not in use, clean thoroughly.
- Bearing in impella could be worn causing impella to hit base of bowl. Replace.

*Note:* Switch must be "OFF" when inserting the impella into the bowl to assure magnetic coupling.

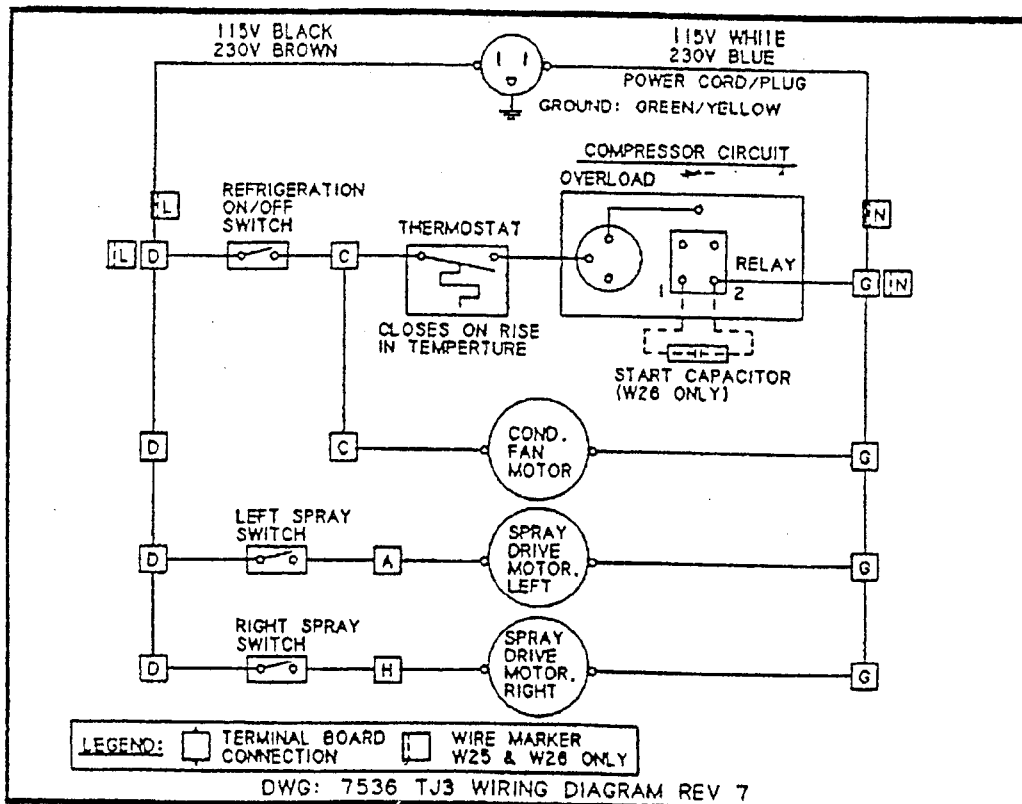
- Long pieces of pulp may partially plug impella and bind impella blades. Juices with excessive pulp must be strained in order to spray. However, if it is desired to retain pulp, use Jet Spray Circulator Kit No. S6737 in place of the pump.
- Pump cover should be locked under all three bowl lugs. If any of the lugs are broken, pump will not spray properly and will vibrate and be noisy. Replace bowl or use Jet Spray Circulator Kit S6737.

- The impella magnet is seldom defective. If the impella magnet has been dropped, examine for damage. If damaged or binding, replace impella support and/or impella magnet.

### BOWL LEAKS

- Do not confuse drippings from condensation on the outside of the bowl as bowl or faucet leaks. High humidity causes more condensation.
  - Be sure the gaskets has been put properly in grooves on bowl.
  - Check gasket for tears or cuts in rubber as they cause leaks.
  - Be sure there is no foreign material around domes where gaskets seat.
  - Check pinch tubes for holes or tears above pinch off area.
  - Be sure condensate washers are around bowl spouts. Condensation will run down outside of pinch tube giving appearance of leak if they are not in place.

## TJ3 WIRING DIAGRAM



# TJ3 SPECIFICATIONS

---

|                            |   |
|----------------------------|---|
| POWER CORD:                | 6' with ground connection (2.1 meters)  |
| SIZE:                      | 16" wide X 8 1/2" deep X 23 1/4" high<br>(40.6 cm wide X 21.6 cm long X 59.1 cm high)                 |
| BEVERAGE BOWL & COVER:     | Transparent, virtually unbreakable LEXAN® resin.  |
| CABINET:                   | Stainless steel and white LEXAN® resin  |
| CAPACITY:                  | Approximately 5 U.S. gallons each side; 18.5 liters<br>Approximately 10 U.S. gallons total; 37 liters |
| REFRIGERATION:             | Jet Spray 1/5 h.p. hermetically sealed system   |
| REFRIGERANT:               | Freon 134a non-toxic, odorless  |
| SPRAY DRIVE AND FAN MOTOR: | No oiling required  |
| POWER DRIVE MAGNET:        | Permanent INDOX magnet  |
| NET WEIGHT:                | 59 lbs. (26.8 kgs)  |
| SHIPPING WEIGHT:           | 68 lbs. (30.9 kgs)  |
| CARTON CUBE:               | 4.4 cu. ft. (17.3" X 17.5" X 25.0" High)<br>(0.12 cu. m.) (43.9cm X 44.5cm X 63.5cm)                  |

*We reserve the right to make changes in design and/or engineering without notice.  
Should the unit require service, take to nearest Jet authorized service center where parts  
and service may be obtained (U.S.A. only).*

\*UL listing applies for U.S.A.  
\*\*C-UL listing applies for Canadian models only.

