

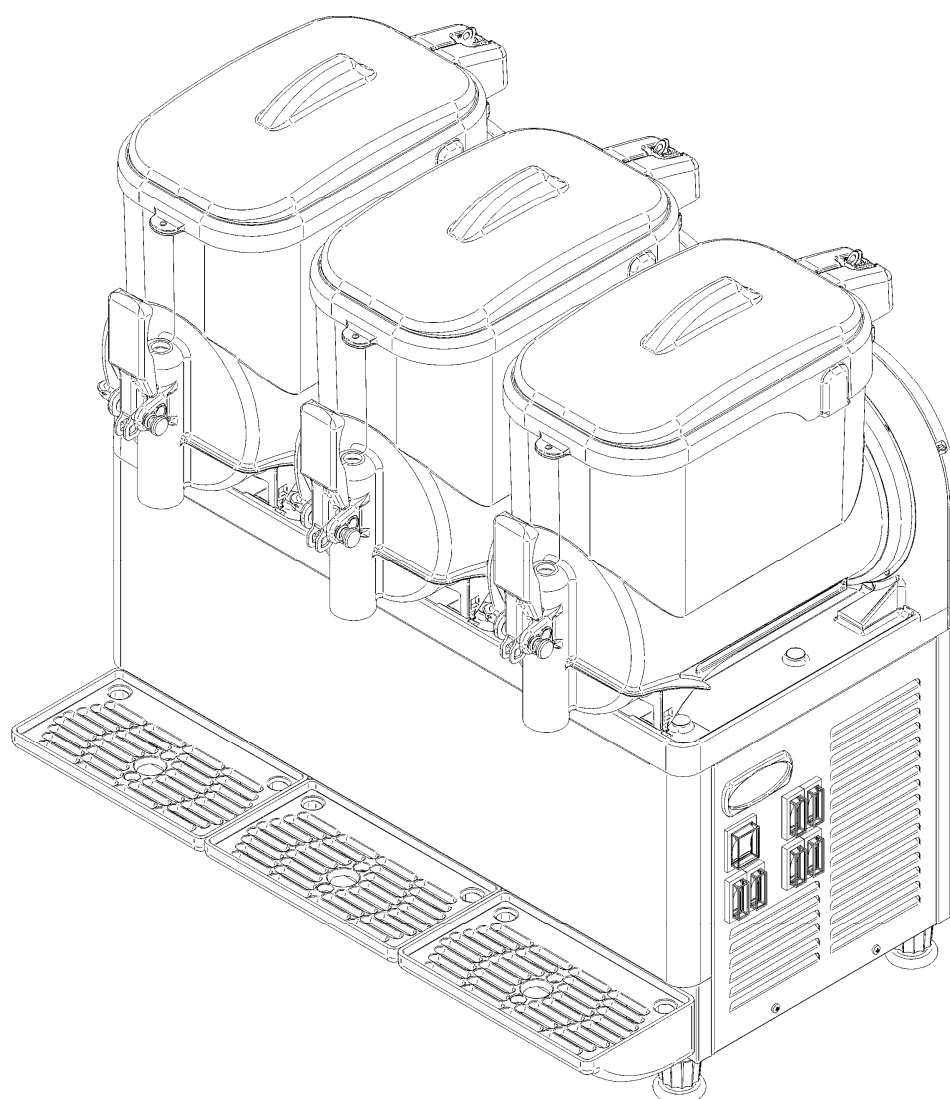
**LISTA DE PIEZAS DE RECAMBIO
LIST OF COMPONENTS PARTS
LISTA RICAMBI**

**GRANIZADORA DE BANCO
GRANITA MACHINE
GRANITORE DA BANCO**

GSM-5x3 TS-E 230/50 BLANCA

Ref.: SL900492334

230 V. / 50 Hz.



LISTA DE PIEZAS

Nº	Referencia	Denominación
1	SL300970007	Rejilla goteo GB - blanca
2	SL300970003	Bandeja goteo GB - blanca
3	SL330000137	Tomillo niq. autor. 3'5x6'5
4	SL31CFM8016	Tomillo zincado DIN 6921 M8x16
5	SL31CD06012	Tomillo zincado DIN 933 M6x12
6	SL31JTM8008	Tuerca zincada DIN 6923 M8 con arandela
7	SL330000118	Tomillo niq. DIN 7500-C B-3'5x9'5
8	SL330000137	Tomillo niq. autor. 3'5x6'5
9	SL320000868	Panel lateral izquierdo
10	SL320002626	Panel frontal GS3
11	SL340000501	Bandeja goteo completa - blanca
12	SL30PZ12NT8	Tube desagüe silicona blanca Ø8xØ12 x mts.
13	SL300000254	Arandela zincada DIN 9021 M6
14	SL310003257	Soporte evaporador PZ-2 - blanco
15	SL300951868	Soporte evaporador PZ-1 - blanco
16	SL310003258	Soporte evap. compl. GRANISMART - blanco
17	SL300350023	Soporte transformador
18	SL310004296	Evaporador multi GS3
19	SL330000118	Tomillo niq. DIN 7500-C B-3'5x9'5
20	SL300002243	Tomillo zincado DIN 933 M4x12
21	SL300000861	Arandela zincada DIN 9021 M4
22	SL300950069	Tapón bandeja superior GHZ/SPIN - blanco
23	SL320001140	Bandeja superior GS3 - blanca
24	SL320000806	Soporte bandeja superior
25	SL320002632	Panel trasero GS3
26	SL320002624	Chasis GS3
27	SL320002633	Panel lateral derecho GS3 TS-E
28	SL300951357	Pie nivelador GHZ-14 V/99
29	SL320000812	Soporte panel lateral
30	SL310003798	Filtro expansionador GS3
31	SL320000778	Filtro deshidratador
32	SL31JEMG060	Tuerca zincada DIN 934 M6
33	SL330000169	Condensador GS 5x2 D77674
34	SL310004348	Tapa soporte evaporador SENC. blanca
35	SL3GS12036A	Sujeción sistema regulación GHZ
36	SL3GS12035A	Vástago regulación
37	SL300951191	Obturador enchufe tapa sop. evap. - blanco
38	SL3GS12037B	Guía muelle sistema regulación GHZ

Nº	Referencia	Denominación
39	SL300950558	Muelle regulación
40	SL310000444	Grapa electroválvula B-4
41	SL300970157	Cuerpo electroválvula triple V/99
42	SL300000254	Arandela zincada DIN 9021 M6
43	SL300950587	Micro densidad
44	SL330000209	Interruptor 11x30 UL SIGNAL LUX
45	SL38EAE48GL	Bobina electroválvula V/99 220/50
46	SL3GS36711B	Electroválvula completa triple CEME 220/50
47	SL320000783	Soporte electroválvulas
48	SL300003131	Interruptor general Verde I/O Lum.
49	SL330000096	Protector interruptor 22x30
50	SL330000210	Conmutador 11x30 UL SIGNAL LUX
51	SL330000119	Protector interruptor 11x30
52	SL3GS36054A	Clip enganche panel lateral GS
53	SL300951921	Tomillo zincado DIN 7981 B-3'9x13
54	SL310002739	Transf. temp. termost. termóm. 3VA bi-tensión
55	SL330000171	Hélice ventilador Ø200/34°
56	SL330000213	Motoventilador 10W 230-240/50-60
57	SL37ZH02134	Compresor NE2134GK 220/50
58	SL340000513	Grupo condensador completo GRANISMART 2
59	SL300951921	Tomillo zincado DIN 7981 B-3'9x13
60	SL300000860	Tuerca zincada DIN 934 M4
61	SL310002736	Sonda temperatura TS-E L.1150
62	SL310005380	Termostato elect.TS-E 12V prog.3S
63	SL31FD0R024	Tomillo niq. DIN 7981-C B-2'4x25
64	SL300000965	Tomillo niq. DIN 7981-C B-2,9x13
65	SL300009227	Tomillo zincado DIN 933 M4x45
66	SL31BBM4012	Tomillo inox DIN 965 M4x12
67	SL300002330	Tuerca inox DIN 934 M4
68	SL330000008	Tomillo zincado DIN 7500-C B-3,5x25 BZ
69	SL330000173	Motoventilador 127x127x38 230/50
70	SL330000168	Condensador GS 5x1
71	SL300951465	Clixon compresor NE2134GK 220/50
72	SL300951466	Relé compresor NE2134GK 220/50
73	SL300951743	Condensador compresor NE2134GK 220/50
74	SL310002832	Condensador 0'022 mF 275V
75	SL300002718	Tomillo inox DIN 7985 M6x10

LIST OF COMPONENTS PARTS

N°	Reference	Description
1	SL300970007	Screen for leaking GB - White
2	SL300970003	Tray for leaking GB - White
3	SL330000137	Plated screw self-tapping 3'5x6'5
4	SL31CFM8016	Zinc screw DIN 6921 M8x16
5	SL31CD06012	Zinc screw DIN 933 M6x12
6	SL31JTM8008	Zinc nut DIN 6923 M8 with washer
7	SL330000118	Plated screw DIN 7500-C B-3'5x9'5
8	SL330000137	Plated screw self-tapping 3'5x6'5
9	SL320000868	Left panel
10	SL320002626	Front panel GS3
11	SL340000501	Drip tray assy - White
12	SL30PZ12NT8	Silicone drainpipe 8x12 x mts.
13	SL300000254	Zinc washer DIN 9021 M6
14	SL310003257	Evaporator support pz. 2 - White
15	SL300951868	Evaporator support pz. 1 - White
16	SL310003258	Evaporator support assy - White
17	SL300350023	Transformer support
18	SL310004296	Evaporator multi GS3
19	SL330000118	Plated screw DIN 7500-C B-3'5x9'5
20	SL300002243	Zinc screw DIN 933 M4x12
21	SL300000861	Zinc washer DIN 9021 M4
22	SL300950069	Upper tray tap - white
23	SL320001140	Evaporator tray GS3 - white
24	SL320000806	Evaporator tray support
25	SL320002632	Rear panel GS3
26	SL320002624	Chassis GS3
27	SL320002633	Right panel GS3 TS-E
28	SL300951357	Rubber foot GHZ-14 V/99
29	SL320000812	Side panel support
30	SL310003798	Receiver
31	SL320000778	Dryer
32	SL31JEMG060	Zinc nut DIN 934 M6
33	SL330000169	Condenser GS 5x2 D77674
34	SL310004348	Evaporator support cover SENC. White
35	SL3GS12036A	Holding in place of regulation system
36	SL3GS12035A	Hardness control pin
37	SL300951191	Switch obturator - white
38	SL3GS12037B	Regulation system spring guide

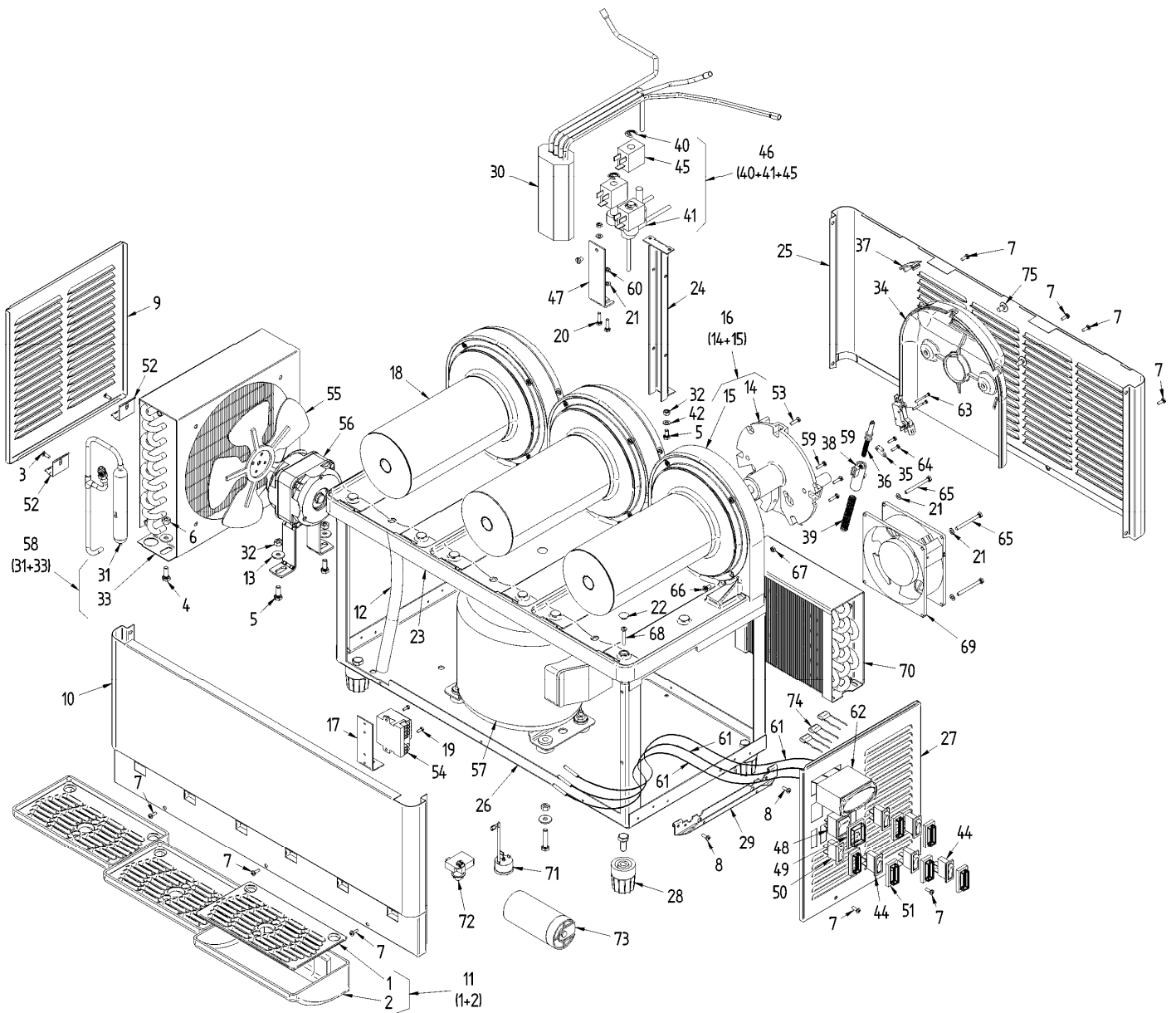
N°	Reference	Description
39	SL300950558	Torque compression spring (1.1 Blan)
40	SL310000444	Electrovalve clamp B4
41	SL300970157	Triple electrovalve body V/99
42	SL300000254	Zinc washer DIN 9021 M6
43	SL300950587	Full miniruptor V/99
44	SL330000209	Switch 11x30 UL SIGNAL LUX
45	SL38EAE48GL	Electrovalve bobbin 220/50
46	SL3GS36711B	Full triple electrovalve V/99 220/50
47	SL320000783	Solenoid valve support
48	SL300003131	Light main switch - 22x30 - Green
49	SL330000096	Cover protection for switch 22x30
50	SL330000210	Change-over switch 11x30 UL SIGNAL LUX
51	SL330000119	Cover protection for switch 11x30
52	SL3GS36054A	Clip hooking side panel
53	SL300951921	Zinc screw DIN 7981 B-3'9x13
54	SL310002739	Transformer 3VA 220/50-115/60 12V
55	SL330000171	Fan blade VA Ø200/34° (For mod. 230/240V - 50Hz)
56	SL330000213	Fan motor 230/240V - 50/60Hz "10W"
57	SL37ZH02134	Compressor NE2134GK 220/50
58	SL340000513	Condenser group assy
59	SL300951921	Zinc screw DIN 7981 B-3'9x13
60	SL300000860	Zinc nut DIN 934 M4
61	SL310002736	Temperature probe TS-E L.1150
62	SL310005380	Electronic thermostat TS-E 12V prog.3S
63	SL31FD0R024	Plated screw DIN 7981-C B-2'4x25
64	SL300000965	Plated screw DIN 7981-C B-2,9x13
65	SL300009227	Zinc screw DIN 933 M4x45
66	SL31BBM4012	Stainless steel screw DIN 965 M4x12
67	SL300002330	Stainless steel nut DIN 934 M4
68	SL330000008	Zinc screw DIN 7500-C B-3,5x25 BZ
69	SL330000173	Motoventilator 127x127x38 230/50
70	SL330000168	Condenser GS 5x1 D77815
71	SL300951465	Compressor clixon NE2134GK 220/50
72	SL300951466	Compressor relay NE2134GK 220/50
73	SL300951743	Compressor condenser NE2134GK 220/50
74	SL310002832	Condenser 0'022 mF 275V
75	SL300002718	Stainless steel screw DIN 7985 M6x10

ELENCO COMPONENTI

N°	Codice	Descrizione
1	SL300970007	Griglia di scolo GB-10 - bianca
2	SL300970003	Raccogliore di scolo GB-10 - bianco
3	SL330000137	Vite nich. autor. 3'5x6'5
4	SL31CFM8016	Vite zincata DIN 6921 M8x16
5	SL31CD06012	Vite zincata DIN 933 M6x12
6	SL31JTM8008	Dado zincato DIN 6923 M8 con rondella
7	SL330000118	Vite nich. DIN 7500-C B-3'5x9'5
8	SL330000137	Vite nich. autor. 3'5x6'5
9	SL320000868	Pannello sinistro
10	SL320002626	Pannello frontale GS3
11	SL340000501	Vaschetta sgocciolio completa Bianca
12	SL30PZ12NT8	Tube di scarico silicone 8x12
13	SL300000254	Rondella zincata DIN 9021 M6
14	SL310003257	Supporto evaporatore. pz. 2 Bianco
15	SL300951868	Supporto evaporatore GHZ PZ-1 - Bianco
16	SL310003258	Supporto evaporatore completo Bianco
17	SL300350023	Supporto trasformatore
18	SL310004296	Evaporatore multi GS3
19	SL330000118	Vite nich. DIN 7500-C B-3'5x9'5
20	SL300002243	Vite zincata DIN 933 M4x12
21	SL300000861	Rondella zincata DIN 9021 M4
22	SL300950069	Tappo vassoio superiore - bianco
23	SL320001140	Piano evaporatore GS3 - bianco
24	SL320000806	Supporto piano evaporatore
25	SL320002632	Pannello posteriore GS3
26	SL320002624	Telaio GS3
27	SL320002633	Pannello destro GS3 TS-E
28	SL300951357	Piede livellatore GHZ V/99
29	SL320000812	Supporto pannello laterale
30	SL310003798	Boiler
31	SL320000778	Filtro
32	SL31JEMG060	Dado zincato DIN 934 M6
33	SL330000169	Condensatore frigo
34	SL310004348	Coperchio supporto evaporatore SENC. Bianco
35	SL3GS12036A	Fermo perno regolazione durezza
36	SL3GS12035A	Perno regolazione durezza
37	SL300951191	Otturatore presa elettrica - bianco
38	SL3GS12037B	Boccola perno regolazione durezza

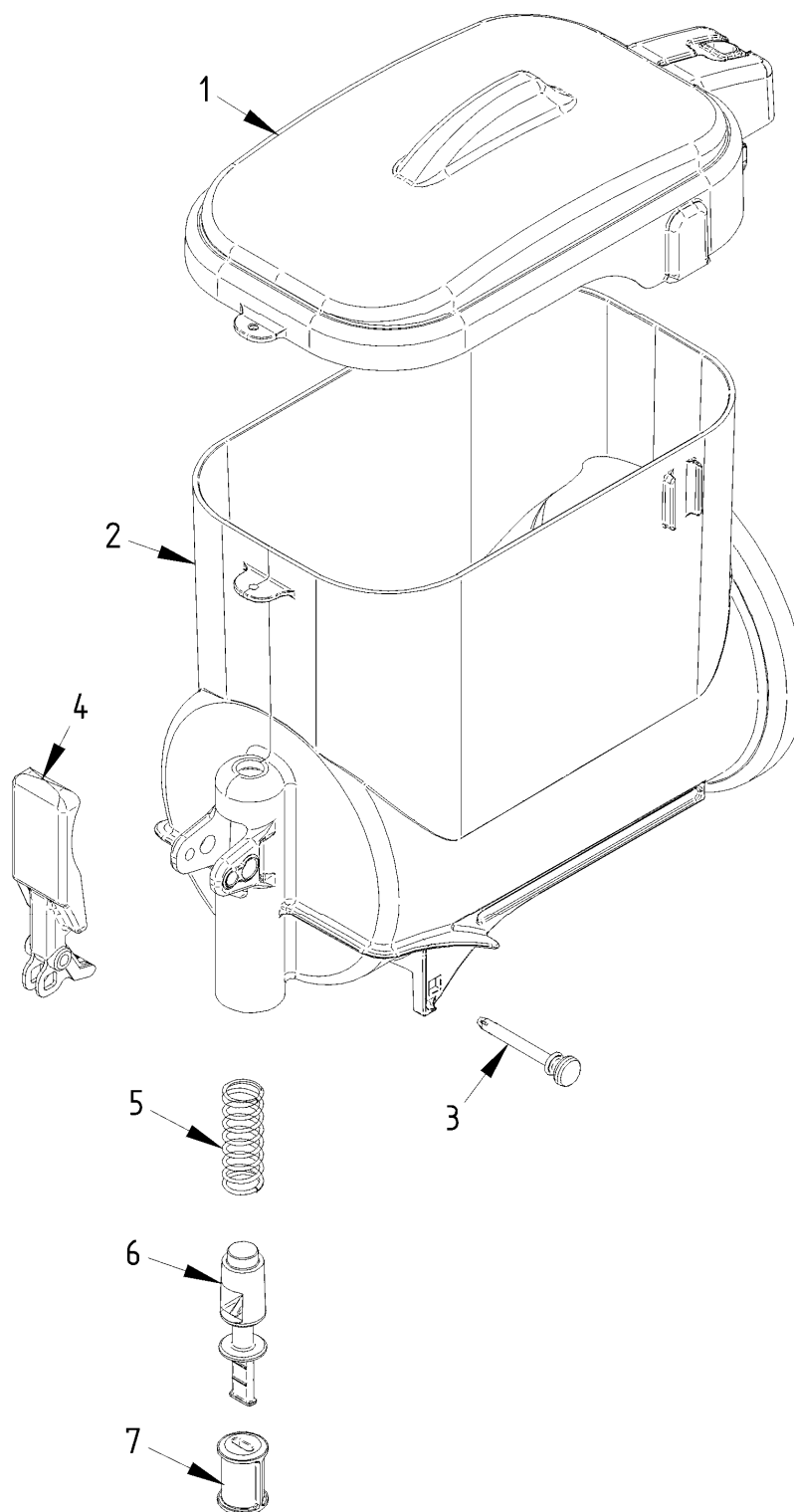
N°	Codice	Descrizione
39	SL300950558	Molla regolazione durezza (1,1 Blan)
40	SL310000444	Morsetto elettrovalvola B-4
41	SL300970157	Elettrovalvola triplo V/99
42	SL300000254	Rondella zincata DIN 9021 M6
43	SL300950587	Microinterruttore
44	SL330000209	Interruttore 11x30 UL SIGNAL LUX
45	SL38EAE48GL	Bobina elettrovalvola 220/50
46	SL3GS36711B	Elettrovalvola completa triplo 220/50
47	SL320000783	Supporto elettrovalvola
48	SL300003131	Interruttore generale luminoso 22x30 verde
49	SL330000096	Cappuccio protezione Interruttore 22x30
50	SL330000210	Deviatore UL - nero SIGNAL LUX
51	SL330000119	Cappuccio protezione Interruttore 11x30
52	SL3GS36054A	Clips aggancio pannello laterale
53	SL300951921	Vite zincata DIN 7981 B-3'9x13
54	SL310002739	Trasf. temp. termost. termom. 3VA bi-tensione
55	SL330000171	Ventola VA Ø200/34° (Per mod. 230/240V - 50Hz)
56	SL330000213	Motoventilatore 230/240V - 50/60Hz "10W"
57	SL37ZH02134	Compressore NE2134GK 220/50
58	SL340000513	Gruppo condensatore assiemato
59	SL300951921	Vite zincata DIN 7981 B-3'9x13
60	SL300000860	Dado zincato DIN 934 M4
61	SL310002736	Sonda temperatura TS-E L.1150
62	SL310005380	Termostato elctt.TS-E 12V prog.3S
63	SL31FD0R024	Vite nich. DIN 7981-C B-2'4x25
64	SL300000965	Vite nich. DIN 7981-C B-2,9x13
65	SL300009227	Vite zincata DIN 933 M4x45
66	SL31BBM4012	Vite inox DIN 965 M4x12
67	SL300002330	Dado inox DIN 934 M4
68	SL330000008	Vite zincata DIN 7500-C B-3,5x25 BZ
69	SL330000173	Motoventilatore 127x127x38 230/50
70	SL330000168	Condensatore GS 5x1
71	SL300951465	Salvamotore compressore NE2134GK 220/50
72	SL300951466	Relé compressore NE2134GK 220/50
73	SL300951743	Condensatore compressore NE2134GK 220/50
74	SL310002832	Condensatore 0'022 mF 275V
75	SL300002718	Vite inox DIN 7985 M6x10

DESPIECE - EXPLODED VIEW - ESPLOSO DISEGNO



DEPÓSITO, TAPA Y GRIFO – TANK, COVER AND TAP – VASCA, COPERCHIO E RUBINETTO

Nº	Cod.	Descripción	Description	Description
1	SL320000815	Tapa blanca	Cover - White	Coperchio Bianco
2	SL340000541	Depósito GS 5 L. UL + adhesivo mov.	Bowl	Vasca 5 litri
3	SL300951293	Pasador grifo EURO - blanco	Spigot pin EURO - White	Spina leva rubinetto EURO - Bianca
4	SL300950331	Leva grifo GHZ EURO blanca	Spigot handle GHZ EURO - White	Leva rubinetto GHZ EURO - Bianca
5	SL320001401	Muelle grifo 8 VTLS ø1.6	Spigot spring	Molla cilindrica rubinetto
6	SL310001367	Pistón grifo LD - blanco	Spigot plunger	Corpo rubinetto
7	SL320001758	Junta especial pistón LD - blanca	Gasket spigot	Guarnizione rubinetto



ELEMENTOS DE ESTANQUEIDAD Y TRANSMISIÓN
WATERTIGHTNESS AND TRANSMISSION ELEMENTS
ELEMENTI DI TENUTA E DI TRASCINAMENTO

Nº	Cod.	Descripción	Description	Description
1	SL320000795	Pala espiral	Auger spiral	Coclea
2	SL310003830	Junta estanqueidad eje GHZ-GB 2M6 sil.traslu.	Watertight shaft joint GHZ GB 2M6 sil.translu.	Guarnizione ventosa GHZ GB 2M6 sil.traslu.
3	SL310001843	Junta tórica Ø15 x Ø2 silicona - roja	O-ring Ø15 x Ø2 silicone - Red	Guarnizione Ø15 x Ø2 silicone - rossa
4	SL320002598	Casquillo evaporador GHZ-G5 2M6 V/9	Shaft supporting bushing GHZ-G5 2M6 V/9	Boccola sostegno albero GHZ-G5 2M6 V/9
5	SL320002575	Eje transmisión GSM G5 TMC 06	Beater Drive Shaft GSM G5 TMC 06	Albero trascinamento GSM G5 TMC 06
6	SL310002029	Racord eje transmisión TMC 06	Transmission shaft racor TMC 06	Raccordo albero trascinamento TMC 06
7	SL310002027	Pasador inox DIN 1481 Ø4x18	Stainless steel blade pin DIN 1481 Ø4x18	Spina inox DIN 1481 Ø4x18
8	SL310001422	Motorreductora KENTA mono 220/50	Gear motor KENTA mono 230V - 50Hz	Motoriduttore KENTA mono 230V - 50Hz
9	SL300500133	Junta depósito CH-110 V/96	Evap./bowl rear gasket	Guarnizione evaporatore/vasca

