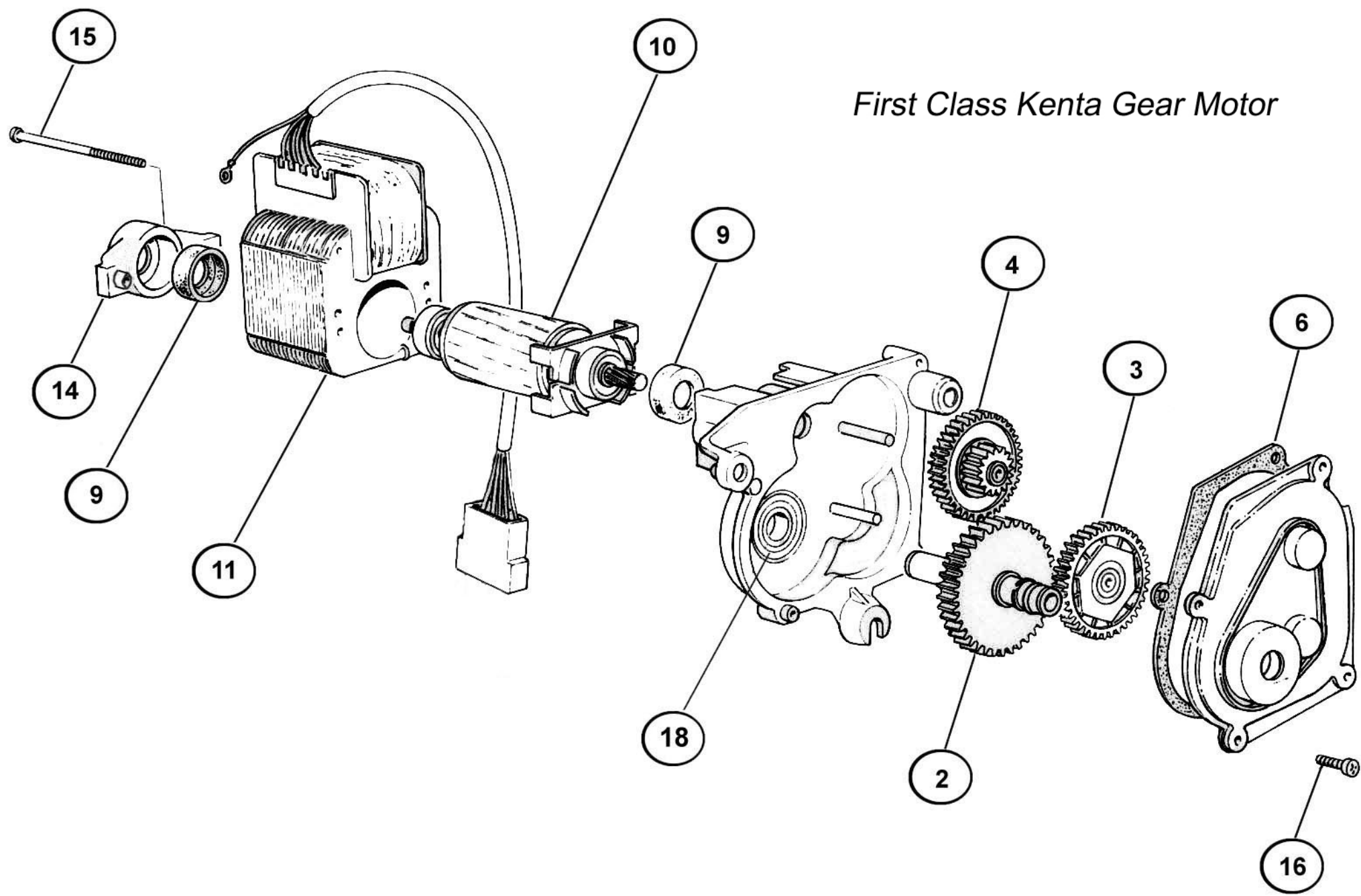


First Class Kenta Gear Motor



Kenta Gear Motor First Class

PART #	DESCRIPTION	FC1	FC2	FC3	MFG #	RETAIL
2	GEAR WITH OUTPUT SHAFT, O RINGS AND SNAP RING ***FOR KENTA GEAR MOTOR ONLY***	*	*	*	A208306/GB	52.00
3	GEAR WITH BEARINGS ***FOR KENTA GEAR MOTOR ONLY***	*	*	*	R208305	36.00
4	GEAR WITH BEARINGS ***FOR KENTA GEAR MOTOR ONLY***	*	*	*	R208307	34.00
6	GEAR BOX GASKET ***FOR KENTA GEAR MOTOR ONLY***	*	*	*	G026004	3.00
9	COVER VIBRATION-DAMPING ***FOR KENTA GEAR MOTOR ONLY***	*	*	*	G026002	3.00
10	ROTOR SHAFT WITH BEARINGS ***FOR KENTA GEAR MOTOR ONLY***	*	*	*	R203446	52.00
11	6 WIRES STATOR ***FOR KENTA GEAR MOTOR ONLY***	*	*	*	S2054120F	90.00
14	STATOR BRACKET ***FOR KENTA GEAR MOTOR ONLY***	*	*	*	C014002	3.20
15	STATOR SCREW ***FOR KENTA GEAR MOTOR ONLY***	*	*	*	V015006	4.00
16	GEAR BOX SCREW ***FOR KENTA GEAR MOTOR ONLY***	*	*	*	V015000	0.24
18	OUTPUT SHAFT BEARING ***FOR KENTA GEAR MOTOR ONLY***	*	*	*	C1067130	10.80